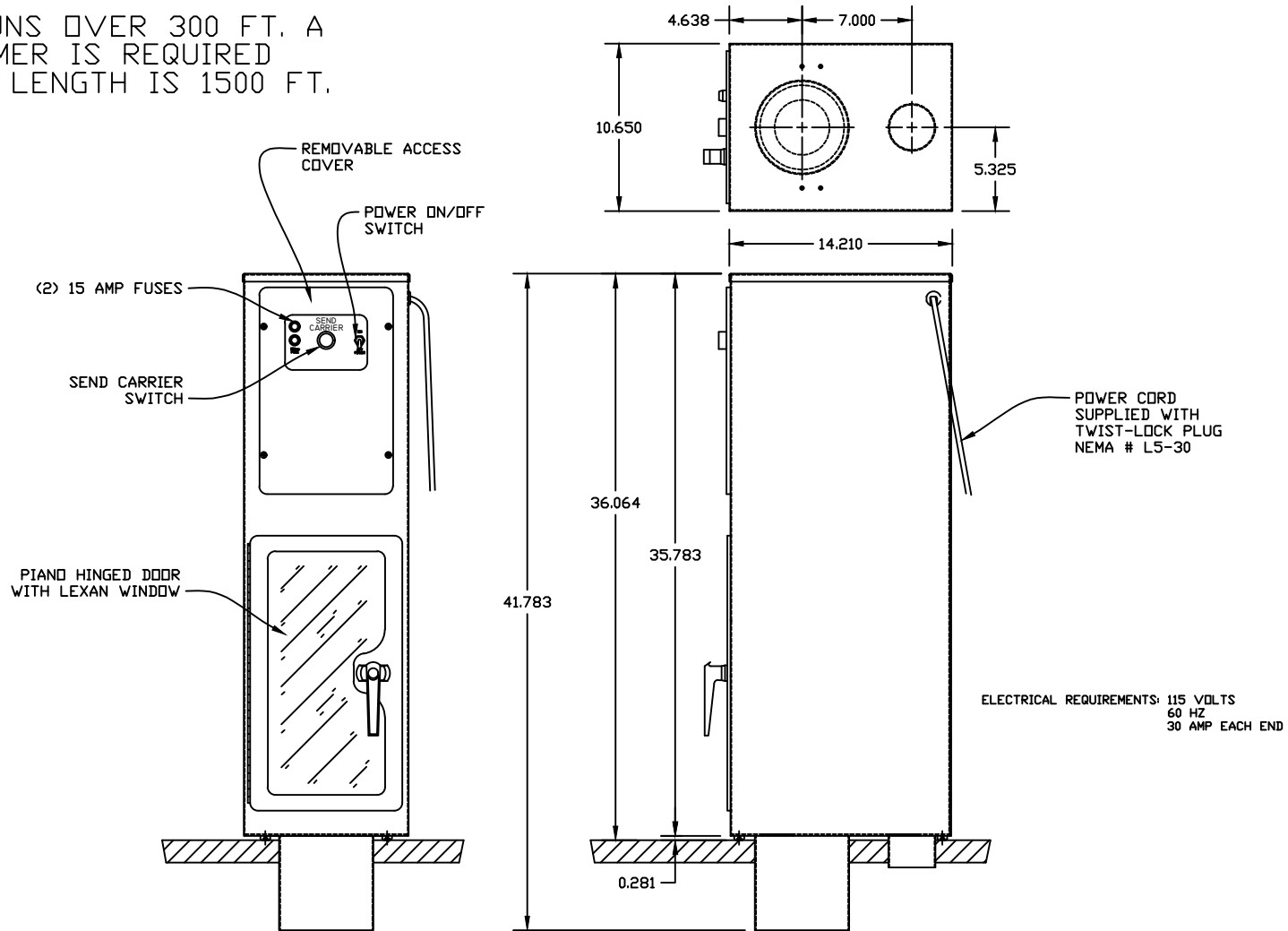


Rev - 1	10/11/01 ADDED BURRIED TUBE NOTE
Rev - 2	

NOTE : FOR BURIED TUBE INSTALLATION  
SEE DRAWING NUMBER : 99-803

NOTE: FOR RUNS OVER 300 FT. A  
LONG RUN TIMER IS REQUIRED  
MAXIMUM RUN LENGTH IS 1500 FT.



<p>est. 1967</p> <p><b>HAMILTON</b></p> <p>CUSTOM MADE SECURITY</p>	<p>PROPRIETARY AND CONFIDENTIAL THESE DRAWINGS ARE THE PROPERTY OF HAMILTON SAFE CO. AND SHALL NOT BE REPRODUCED, COPIED, USED AS THE BASIS FOR MANUFACTURE OR SALE OF APPARATUS WITHOUT PERMISSION</p>	DESCRIPTION	
		<p>HT 15 ( 6" TUBE ) DOWNSEND VERSION DOWNSEND VERSION</p>	
		DRAWING/MODEL NUMBER	DATE
		99-718	10/08/2021